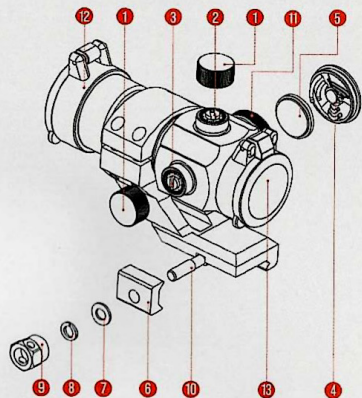


I INSTALL BATTERY



- 1 Adjustment caps
- 2 Elevation adjustment screw
- 3 Windage adjustment screw
- 4 Battery cap
- 5 Battery
- 6 Clamp block
- 7 Washer
- 8 Gasket
- 9 Screw nut
- 10 Screw
- 11 Switch
- 12 Objective shield/lens cover
- 13 Eyeiece shield/lens cover

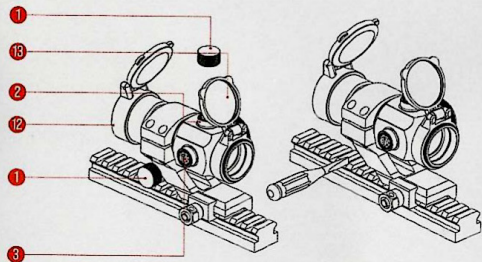
- Remove the battery cap 4
- Insert the battery 5 with positive end [+] toward battery cap 11 as can be seen in the picture above.
- Tighten the battery cap 4 with the tool, till there is no gap between the battery cap 4 and the switch 11.

CAUTION CHECK THE O-RING IS IN GOOD CONDITION AND IN POSITION TO ENSURE THERE IS NO WATER LEAKAGE INTO THE BATTERY COMPARTMENT.

- Turn to the intensity switch 11 to intensity setting T1(max.), verify that the red dot is visible.

NOTE: For storage of the sight, remove the battery.

I INSTALLATION NOTES

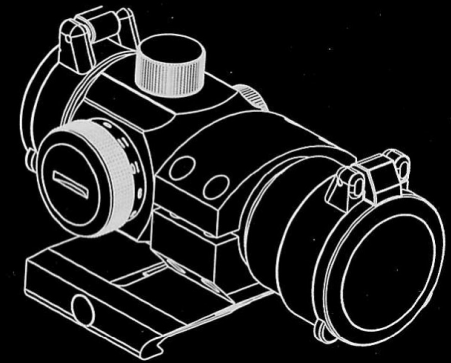


- Using the tool to loosen the screw 9, and clamp the locking bar around the rail (The rail must comply with the MIL-STD 1913 standard), using the tool to tighten the screw 9.
- Remove the objective shield lens cover 12 and eyepiece shield lens cover 13, adjust the switch 6 to a comfortable intensity setting, for the red dot to contrast against the target.
- Remove the adjustment caps 1, using the tool (e.g. screwdriver) to adjust the elevation adjustment screw 2 and the windage adjustment screw 3.
- Elevation adjustments:
 - Turn elevation adjustment screw 2 counterclockwise to move point of impact up.
 - Turn elevation adjustment screw 2 clockwise to move point of impact down.
- Windage adjustments:
 - Turn windage adjustment screw 3 counterclockwise to move point of impact to the right.
 - Turn windage adjustment screw 3 clockwise to move point of impact to the left.

Product Code	TH0-10-037704-00	
Name	PRO Red Dot Sight PRDS	
Picture		
Optical	Light Source	LED
	Reticle	1.5 MOA Dot Red
	Objective Lens	29mm
	Magnification	1X
	Parallax Setting	±2MOA at 30 yd
	Eye Relief	Unlimited
Mechanical	Fog Proof	Yes
	Lens Coating	Anti-reflective, Anti-fog, Scratch Resistant, Nitrogen-Purged
	Housing Material	AL 6061-T6
	Housing Color	Black
	Nitrogen Filled	Yes
	Surface Finish	Hardcoat Anodizing type II
Electronic	WGE Adjustment	± 60 MOA
	Adjustment per Click	1MOA
	WaterProof	IPX7
	Shock-Proof	Up to 800G
	Storage Temperature	-35 °C~75 °C
	Operational Temperature	-25 °C~50 °C
Physical	Battery Type	CR2032
	Battery Voltage	3V
	Battery Life	Not less 80 hours at then 4th stage
Physical	Brightness Setting	11 Daylight
	Dimension (in)	4.37x2.25x2.9
	Weight(oz)	9.04oz
Physical	Central Height (in)	1.61



RUGGED



USER MANUAL

INSTRUKCJA OBSŁUGI

PRO Red Dot Sight PRDS